



Logic Level Relay Pulse/Speed

CLR

Specifications

Electrical

Supply Voltage: 12 or 24 VAC/VDC,
120 or 240VAC, 50/60Hz

Sensor Voltage:

12V Supply: +8VDC @ 15mA
24, 120 & 240V: +12VDC @ 15mA

Sensor Type: Digital or Analog

Sensor Pull-Up: 4.7Ω* (NPN)

Pick-Up Delay: 0.5 Second

Drop-Out Delay: 0.5 Second

Output Rating: 10 Amps @ 120VAC

5 Amps @ 30VDC & 250VAC
300W (DC), 1,600W (AC) Max.
switching power (resistive)

100,000 Full Load Electrical Cycles

20,000,000 Mechanical Cycles

Indicators: 1 Relay Status LED

Physical

Mounting: Plug-In

Termination: 8 Pin (Octal)

Packaging: Dust Cover

Weight: 9 Oz.

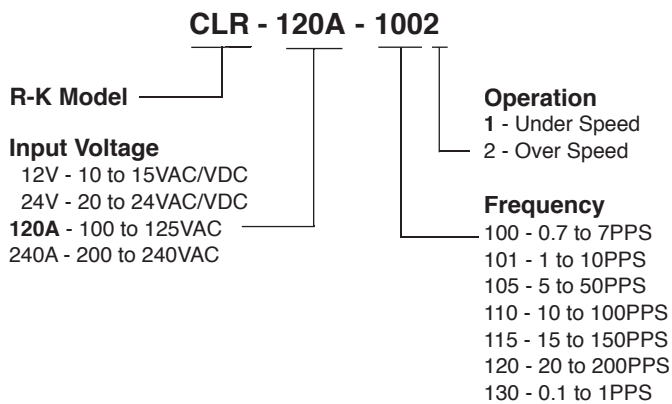
Ambient Temperatures

Operating: 0°C to 40°C

Storage: -40°C to 85°C



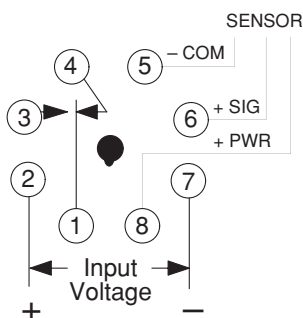
Ordering Information



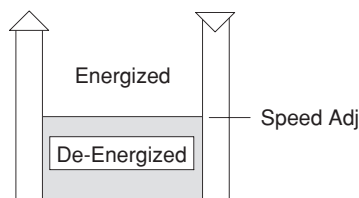
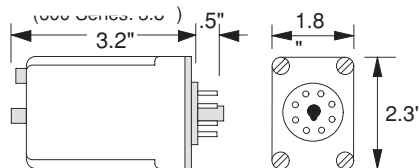
- Slow Speed Sensing
- Over Speed Sensing
- Sensor Power
- Digital or Analog Sensor
- Plug-In Package
- Indicating LED



Connections



Dimensions



Operation

Speed Sensing

Supply voltage must be provided continuously during operation and a proximity switch or sensor to sense the speed must be installed. The supply voltage to the sensor is available from the CLR. The CLR monitors the pulse rate received from the sensor. Based on whether the frequency is over or under the adjustable set point, the relay's output will be energized or de-energized. For under speed sensing, the relay output will be energized if the sensor pulse rate is greater than the set point, indicating an "at speed" condition. It will de-energize if the speed slows and the pulse rate drops below the set point. A 0.5 second time delay avoids rapid cycling of the output contacts.